

Performance

Lifting height — on stabilisers	12468.0 mm
Lifting height — on tyres	11746.0 mm
Rated capacity	3500 kg
Capacity (at max. height on stabilisers)	3500 kg
Capacity (at max. height on tyres)	2500 kg
Capacity (at max. reach on stabilisers)	1300 kg
Capacity (at max. reach on tyres)	400 kg
Max. reach on tyres	8764.0 mm
Crowding force	12300 daN

Weights

Weight (unladen)	8830 kg
------------------	---------

Traction

Standard tyres	BASIC TYRES 405/70-20 16PR
1st gear / low range	7.0 km/h
1st gear / high range	26.0 km/h
2nd gear / low range	8.5 km/h
2nd gear / high range	30.0 km/h

Drive System

Main drive	Hydrostatic motor
Transmission	Hydrostatic with electronic regulation

Engine

Make / Model	DEUTZ / TCD 3.6 L4
Fuel	Diesel
Cooling	Liquid
Rated power (ISO 14396:2002) at 2300 RPM	74.4 kW
Maximum torque at 1400 RPM	410.0 Nm
Number of cylinders	4
Displacement	3.62 L

Hydraulic System

Pump type	Gear pump with LS valve
-----------	-------------------------

Cycle Times

Lift time - no load	12.8 s
Lower time - no load	8.4 s
Telescope in time at max. reach - no load	11.5 s
Telescope in time at max. height - no load	10.3 s
Telescope out time at max. reach - no load	17.0 s
Telescope out time at max. height - no load	17.0 s

Brakes

Engine braking	Hydrostatic
Parking and emergency brake	Negative brake with hydraulic command

Fluid Capacities

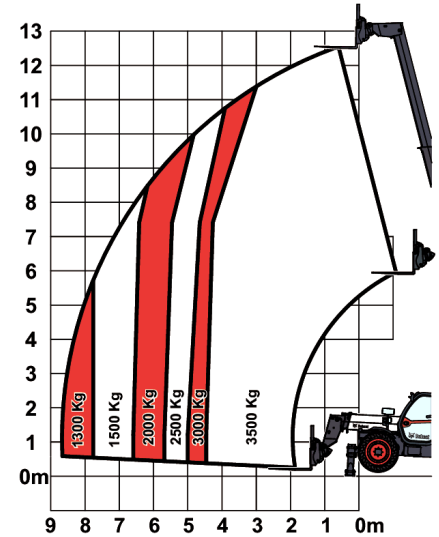
Fuel tank	145.00 L
Hydraulic reservoir	76.00 L

Environmental

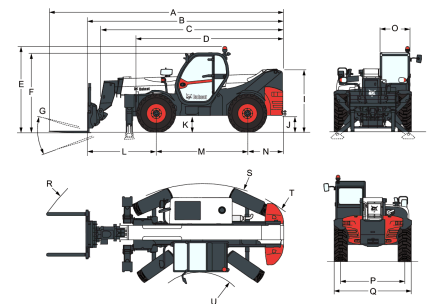
Operator noise level (LpA) (EN 12053)	76 dB(A)
Operator noise level (LpA) (EN 12053) uncertainty	4 dB(A)
Level of acoustic power (LWA)	106 dB(A)
Whole body vibration (EN 13059)	1.40 ms ⁻²
Whole body vibration uncertainty (EN 13059)	0.40 ms ⁻²

Load Charts

With forks and standard 405/70x20 tyres, on stabilisers



Complies with stability test EN1459 Annex B

Dimensions


(-) 857.0 mm	(L) 1919.0 mm
(A) 7081.0 mm	(M) 2850.0 mm
(B) 5876.0 mm	(N) 1107.0 mm
(C) 5850.0 mm	(O) 930.0 mm
(D) 4497.0 mm	(P) 1992.0 mm
(E) 2586.0 mm	(Q) 2418.0 mm
(F) 2393.0 mm	(R) 5696.0 mm
(G) 124.0°	(S) 4150.0 mm
(I) 1869.0 mm	(U) 1519.0 mm
(J) 422.0 mm	